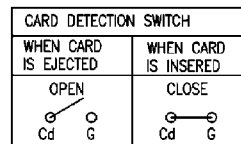
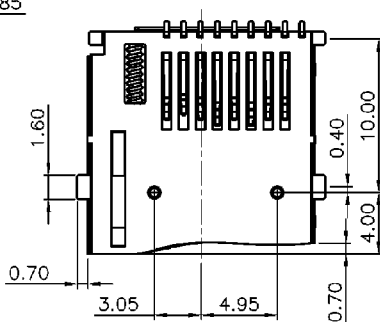
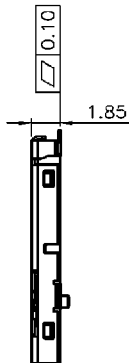
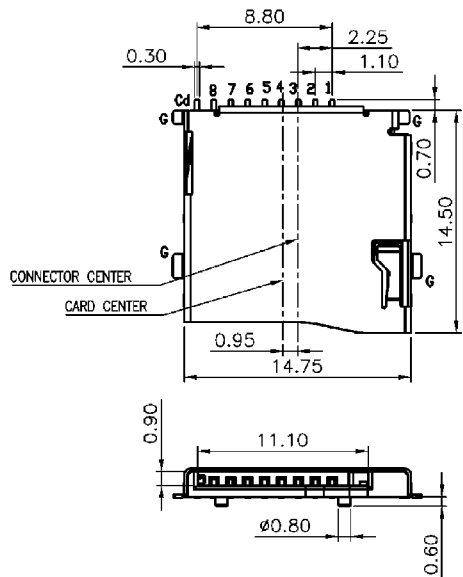


▨ Pad Area

PCB LAYOUT TOP VIEW
(TOLERANCE:±0.05)

Pin No.	Pin assignment	Pin No.	Pin assignment
1	DAT2	5	CLK
2	CD/DAT3	6	VSS
3	CMD	7	DAT0
4	VDD	8	DAT1
Cd	CARD DETECTION	G	GROUND



Model No. TF-C-0808